

# 5. Thematic discussion: Competent organisations in Member States

53rd EFSA Focal Point meeting – 16-11-2023

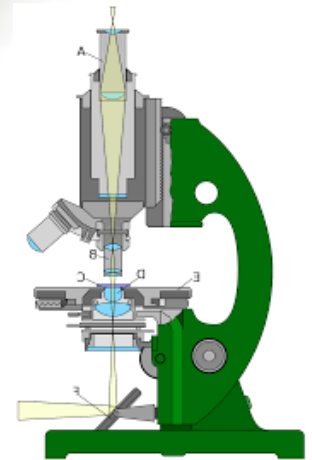


*Beatriz Llarena Martínez*

*Punto Focal EFSA en España  
Agencia Española de Seguridad Alimentaria y Nutrición (AESAN)  
[pfefsa@aesan.gob.es](mailto:pfefsa@aesan.gob.es)*

## Agenda:

- SURVEY OF FUNDING WAYS OF THE EUROPEAN FOOD SAFETY AUTHORITY (EFSA) DIRECTED TO THE COLLABORATING ORGANIZATIONS OF ART. 36





## SURVEY OF FUNDING WAYS OF THE EUROPEAN FOOD SAFETY AUTHORITY (EFSA) DIRECTED TO THE COLLABORATING ORGANIZATIONS OF ART. 36

### OBJECTIVE:


Detect difficulties when applying for the different EFSA calls in order to improve and simplify the application process.

### RESULTS:

- Sent to **410 recipients**
- **6 %** participation (26 responses)
- 15 % requested a call
- 75 % found the application complicated or very complicated
- **85 %** did not request any call

### ENCUESTA VÍAS DE FINANCIACIÓN DE LA AUTORIDAD EUROPEA DE SEGURIDAD ALIMENTARIA (EFSA) DIRIGIDAS A LAS ORGANIZACIONES COLABORADORAS DEL ARTÍCULO 36

*Con el objetivo de mejorar la colaboración y cooperación científica en relación con las diferentes vías de financiación de la EFSA, por favor, complete la encuesta para identificar las dificultades que presenta el proceso de solicitud así como los éxitos conseguidos.*

1. ¿Ha solicitado usted como investigador principal (solo o en consorcio con otras organizaciones) alguna convocatoria de proyectos financiados por la EFSA en el periodo 2018-2023? 

SI

NO

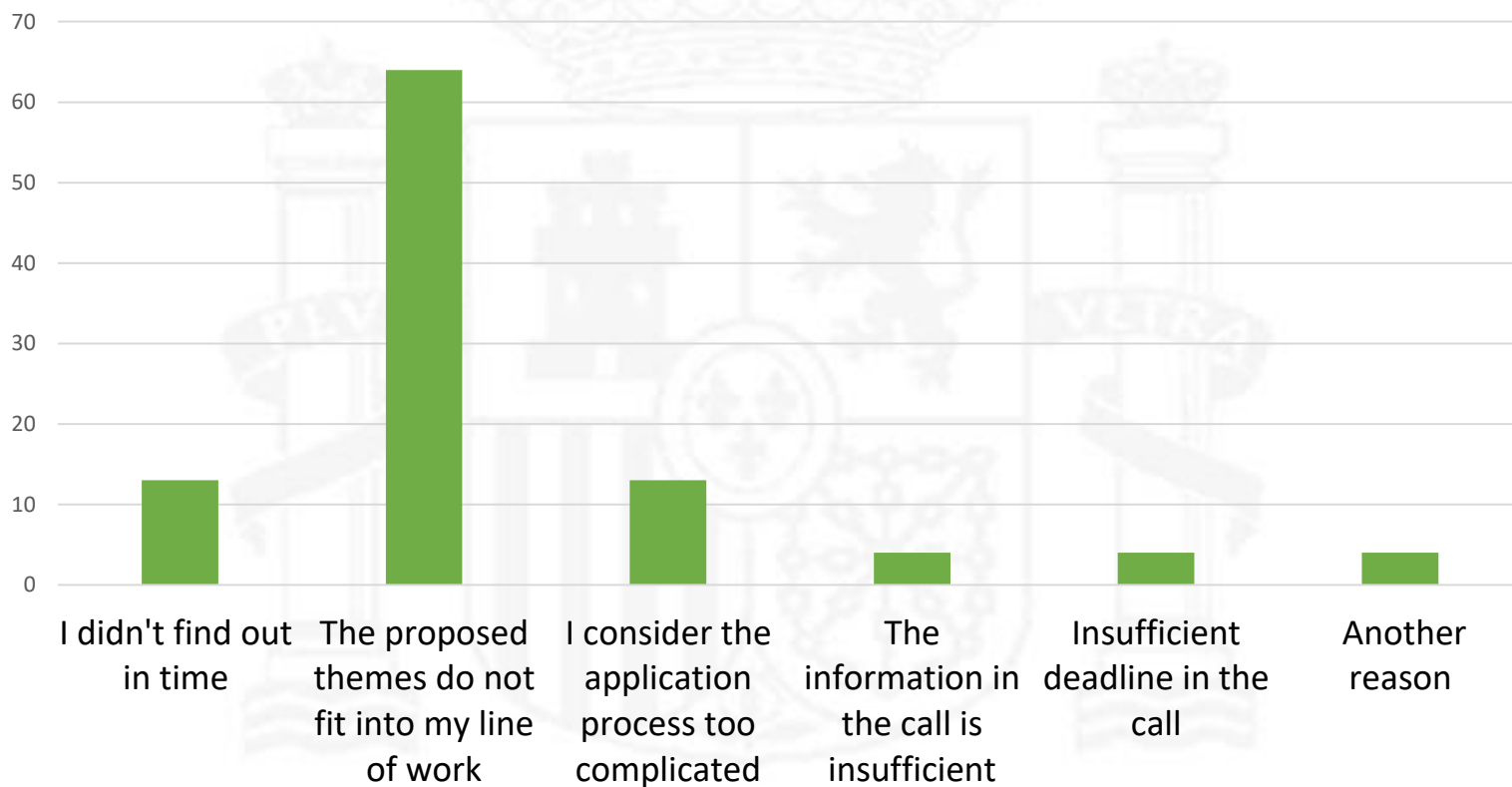
### TASK 2.5

On the basis of information transmitted by EFSA and collected at national level by FP on grant and/or procurement applications from national organisations, FP identifies bottlenecks and success factors and provide feedback to EFSA.

SI

## SURVEY OF FUNDING WAYS OF THE EUROPEAN FOOD SAFETY AUTHORITY (EFSA) DIRECTED TO THE COLLABORATING ORGANIZATIONS OF ART. 36

### Reasons for not requesting EFSA calls





## SURVEY OF FUNDING WAYS OF THE EUROPEAN FOOD SAFETY AUTHORITY (EFSA) DIRECTED TO THE COLLABORATING ORGANIZATIONS OF ART. 36

### Strengths

- **Transparency of the calls**
- **Simplicity** of calls
- Acces to a large **number of calls**
- Wide **variety of calls**

### Areas for improvement

- Improve **clarity** in requirements description
- Appropriate **terminology**, difficult to understand (grants, procurements, etc.)
- **Accessibility** of the EFSA team
- Improving **EFSA's rapid response**
- Submission of the documentation **electronically** and not by ordinary mail
- Improving support pathways for the **formation of consortia**

Results shared in 8th Conference on scientific cooperation of Spanish Organizations with EFSA 10.10.2023



GOBIERNO  
DE ESPAÑA

MINISTERIO  
DE CONSUMO



agencia  
española de  
seguridad  
alimentaria y  
nutrición

# THANK YOU FOR YOUR ATTENTION

[pfefsa@aesan.gob.es](mailto:pfefsa@aesan.gob.es)



GOBIERNO  
DE ESPAÑA

MINISTERIO  
DE CONSUMO



agencia  
española de  
seguridad  
alimentaria y  
nutrición

U  
23

Síguenos

